

## Four Fundamental Values of NIX.

### C Challenging

"NIX is always with us."  
 "NIX never turns back, no matter how hard the challenge is."  
 The challenge for NIX is to meet the expectations expressed by those comments.

### O Original

"NIX will bring something new."  
 "We are waiting for creative products that meet the needs of industry."  
 NIX responds to the encouragement with products full of new ideas.

### S Speedy

"NIX responds by the next day, whenever and whatever the trouble is."  
 "NIX sells products and provides after-sales service."  
 These are the evaluations we seek with our fast, accurate service.

### Q High Quality

"We can count on NIX."  
 "We can rely on NIX quality."  
 Customer satisfaction drives us to seek further improvements in quality and features.

A complete proprietary system from development and design to production.  
 NIX's one-stop solution for customers.



Headquarters



Nagoya Office



Osaka Office



R&D center research-and-development



Global Production Management HQ



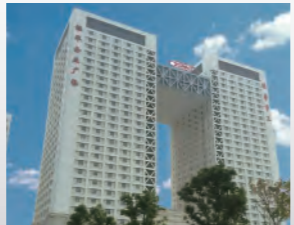
NIX OF AMERICA



NIX OF HONG KONG LIMITED



NIX OF ZHUHAI PRECISION PRODUCTS LIMITED



NIX OF SHANGHAI LIMITED



NIX (THAILAND) LTD.

## NIX, INC.

**Global Production Management Headquarters**  
 2-23-3 Nishihashimoto, Midori-ku, Sagami-hara, Kanagawa prefecture 252-0131, Japan  
 Tel: +81-42-773-9129 Fax : +81-42-773-9963

**Headquarters**  
 8F Queens Tower B, 2-3-3 Minatomirai, Nishi-ku, Yokohama, Kanagawa prefecture 220-6108, Japan  
 Tel: +81-45-221-2001 Fax : +81-45-221-1230

**Nagoya Office**  
 5F Nagoya-wakamiya Bldg., 5-28-12 Sakae, Naka-ku, Nagoya-shi, Aichi prefecture 460-0008, Japan  
 Tel: +81-52-747-7311 Fax: +81-52-747-7319

**Osaka Office**  
 4F No.2 Astro Shin-Osaka Bldg., 6-1-3 Nishinakajima, Yodogawa-ku, Osaka-shi 532-0011, Japan  
 Tel: +81-6-6305-0451 Fax : +81-6-6308-4776

**NIX OF AMERICA**  
 777 North First Street, Suite 325, San Jose, CA 95112  
 Tel: +1-408-321-8286 Fax : +1- 408-428-9376

**NIX OF HONG KONG LIMITED**  
 Unit A2, 4/F., Block A, Po Yip Building, 62-70 Texaco Road, Tsuen Wan, New Territories, Hong Kong  
 Tel: +852-3428-8309 Fax : +852-3428-8319

**NIX OF ZHUHAI PRECISION PRODUCTS LIMITED**  
 7th Floor, Factory Building 3, No.3 Chuangye Xi Lu, Jinwan, Zhuhai, Guangdong Province, China

**NIX OF SHANGHAI INTERNATIONAL TRADE LTD.**  
 Room2212, Block B, Zhenhua Enterprise Plaza, No.3261 Dongfang Road, Pudong Shanghai, China  
 Tel: +86-21-5018-7680

**NIX (THAILAND) LTD.**  
 13th Floor, BB Building, 54 Sukhumvit 21 Road, Klongtoey-Nua, Wattana, Bangkok 10110 Thailand  
 Tel: +66-2-261-3931 Fax : +66-2-261-3932

<https://nix.co.jp/>

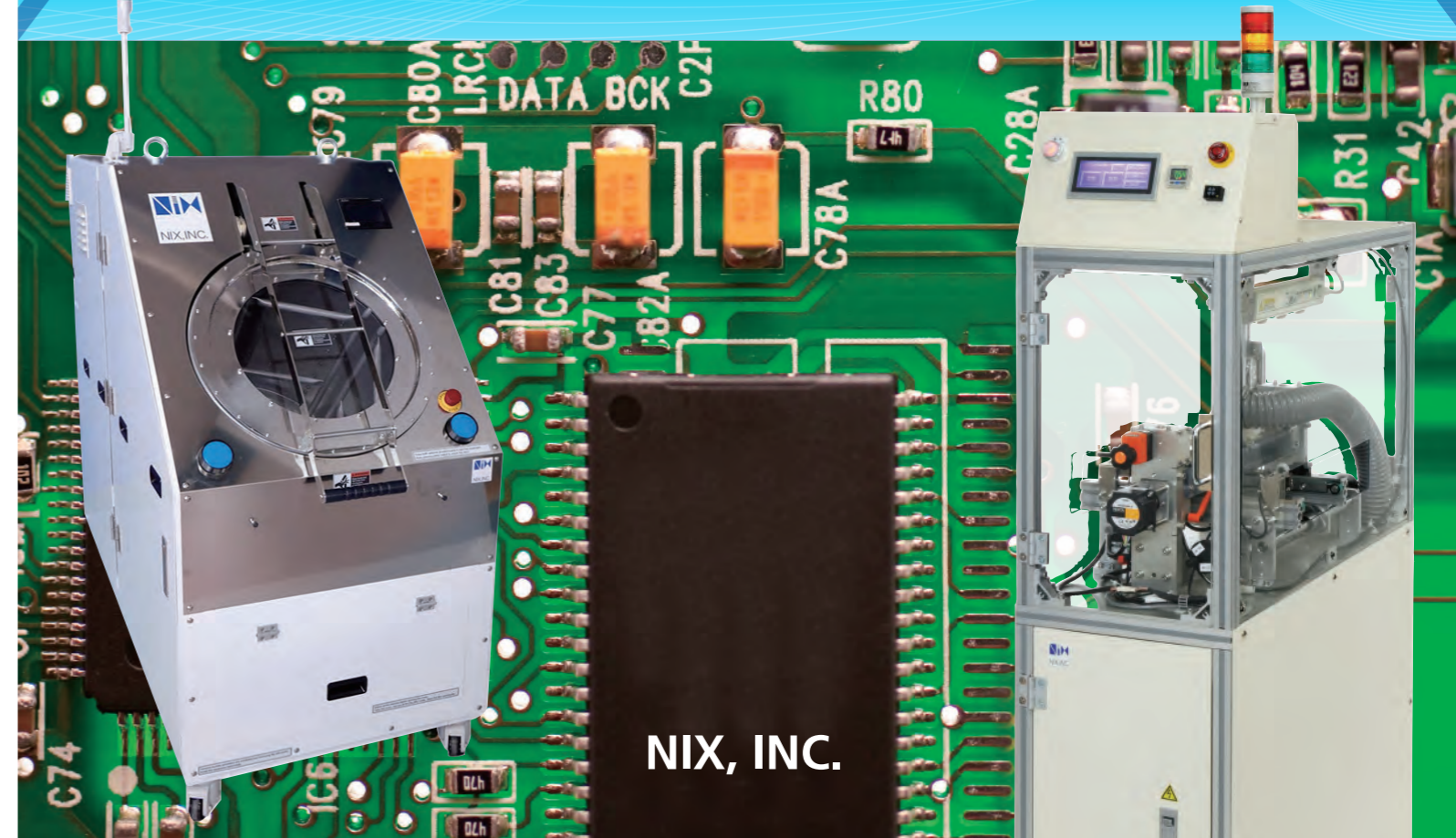


NIX, INC.

# NIX PCB SOLUTION GUIDE



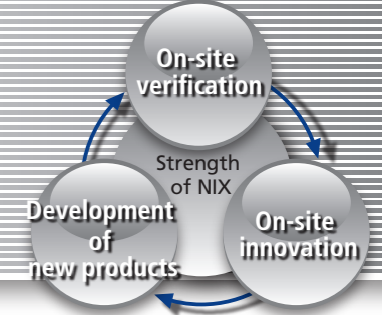
NIX is the best partner for improving your factory



NIX, INC.

40 years of experience

# Our innovative products created cooperating with customers improve their production process and resolve their problems.



## Nikko-Rack™ Magazine Rack & Printed Board Cleaner



### Joint Tape

To connect tapes for mounting components

### Carrier Tape Tray NCAJ-SP

It is easy to adjust the width of tray for both carrier tape and emboss tape.

## Label Automatic Feeder

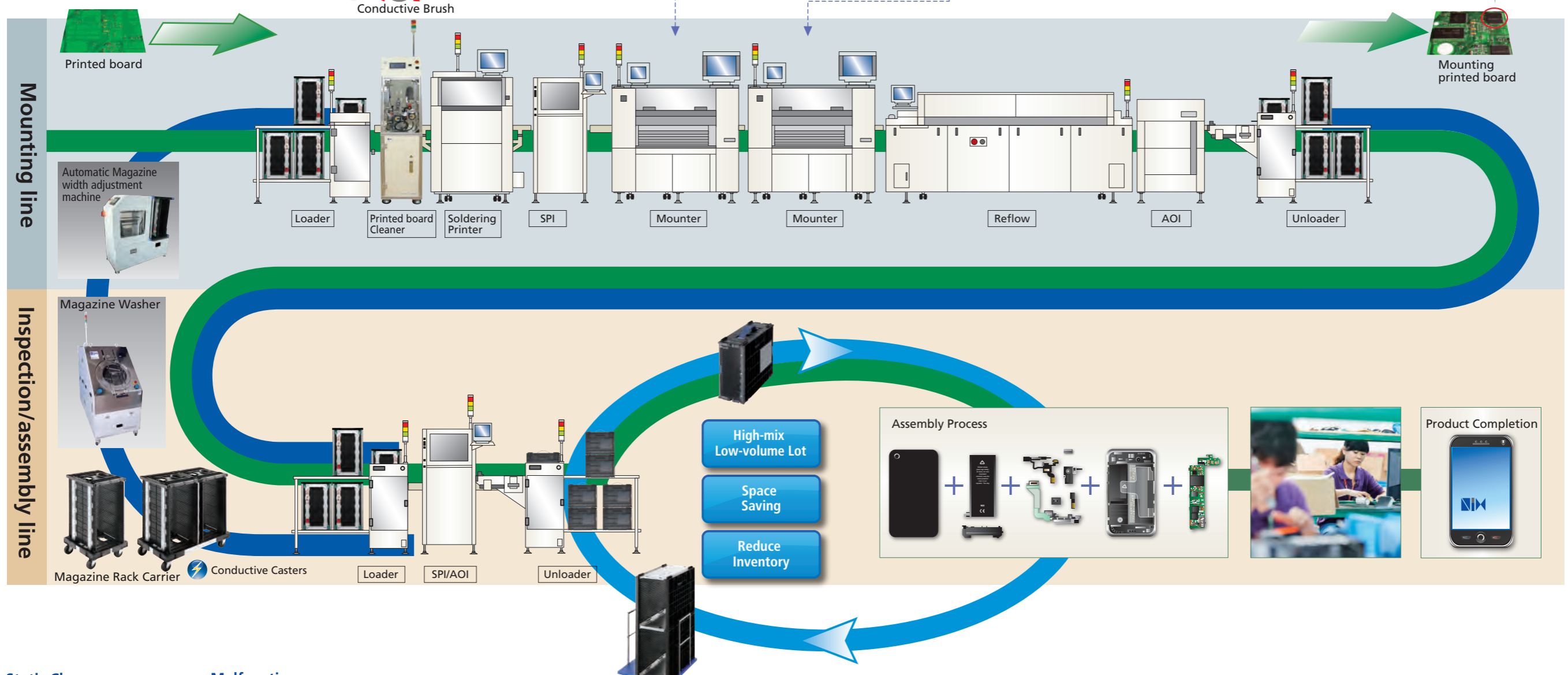


## For semi-conductor production process

We will develop in accordance with customer's needs.

- Wafer storage rack
- Wafer production system fixture
- Wafer tip inspection system fixture

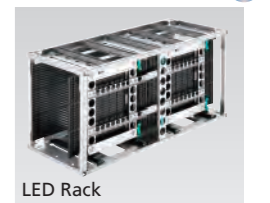
- Flow of printed boards
- Movement of Nikko-Rack
- Movement of Ko-Rack
- Conductivity



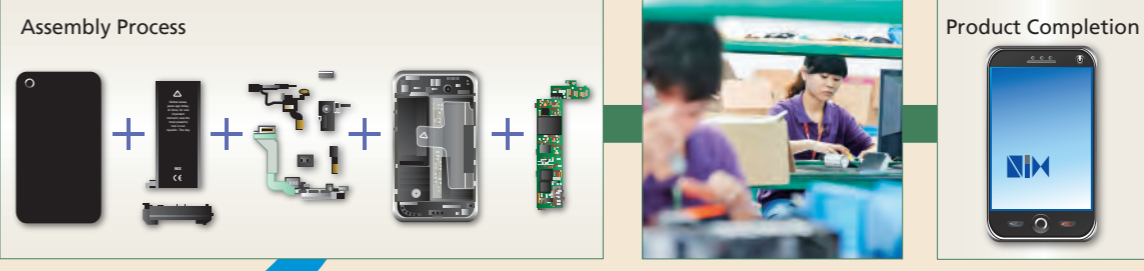
## Smart Storage Rack



## Customized Rack



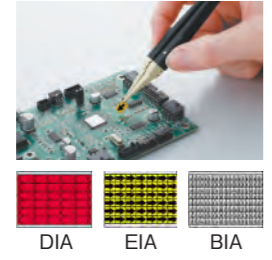
- High-mix Low-volume Lot
- Space Saving
- Reduce Inventory



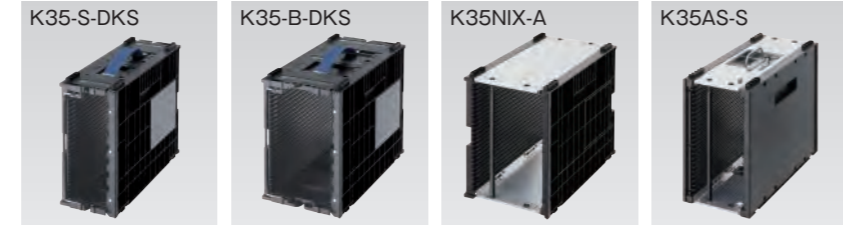
## Static Charge Measure PET Label



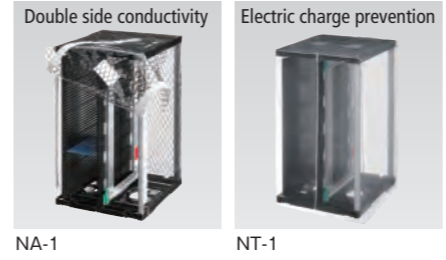
## Malfunction Indicator Mark



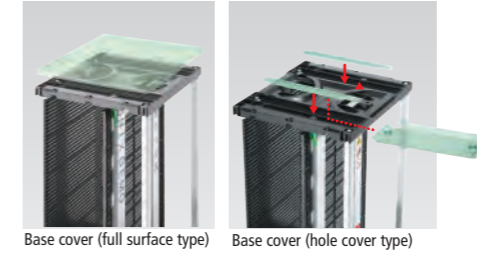
## Ko-Rack



## Dust Cover



## Base Cover



## Slot Stopper



## Slot cover



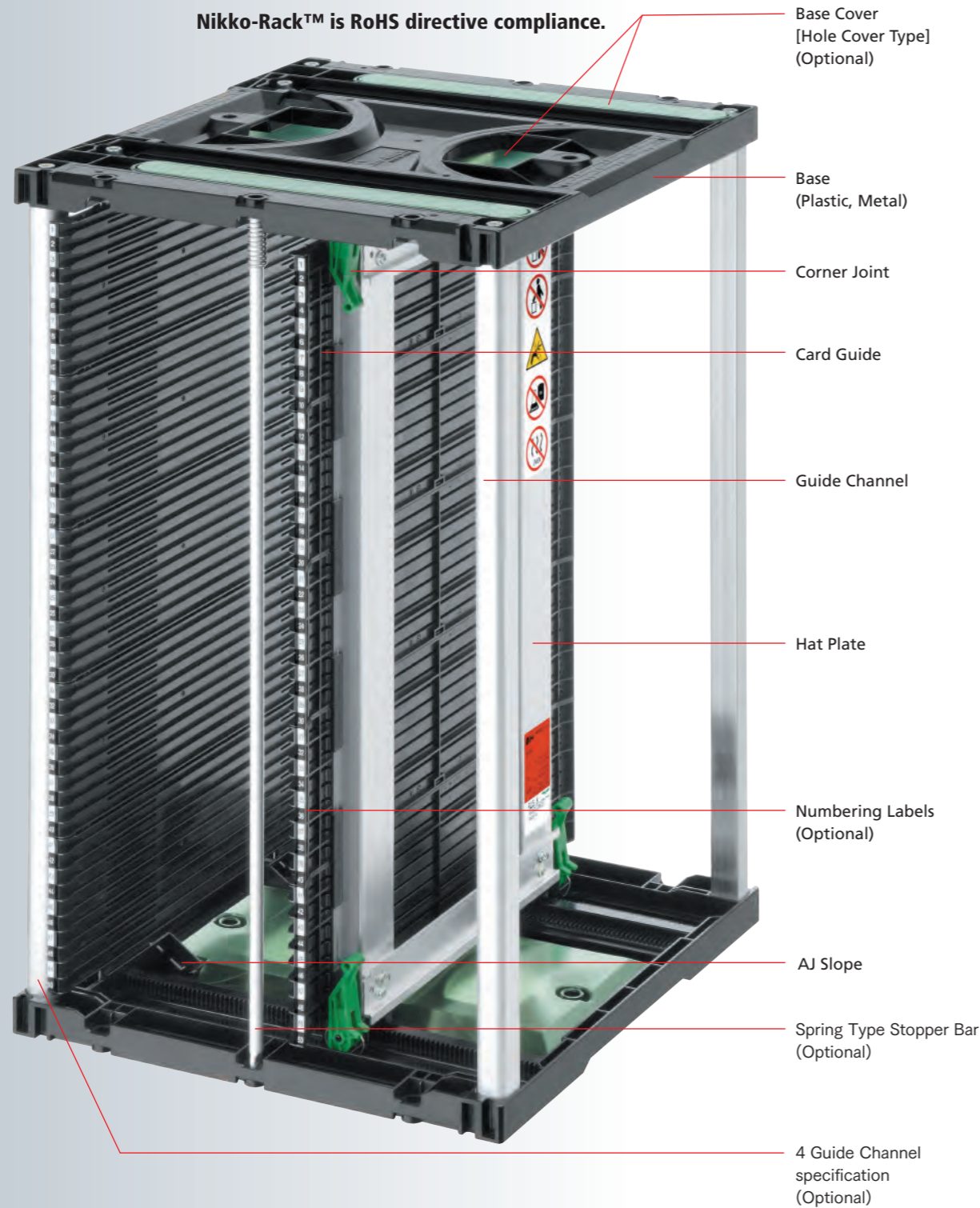
# No.1 brand of Magazine Rack Nikko-Rack™

Nikko-Rack™

## Commitment to the environment

As a member of the global society, NIX contributes to the world by recognizing the importance of global environmental safeguards and taking a proactive approach toward decreasing the harmful effects to the environment.

Nikko-Rack™ is RoHS directive compliance.



### Caution and prohibit sticker for using Nikko-Rack



Do not sit on



Do not stand on



Use caution when adjusting the magazine width



Do not expose to chemicals



Do not expose to high heat

## Highest efficiency, highest precision, and highest quality magazine in the industry.

- ▶ One-touch adjustable type is the lightest in the industry, has excellent precision and quality, is distortion-free, and has an overwhelming delivery record.
- ▶ A wide range of products and options
- ▶ Quick width adjustment in less than 5 seconds. (Rack & Pinion & AJ slope method)
- ▶ The Guide rail structure and Plastic are resistant to thermal deformation even when storing Printed board immediately after reflow.
- ▶ The minimum number of parts makes assembly easy and maintenance is also possible.
- ▶ Available used in Reverse



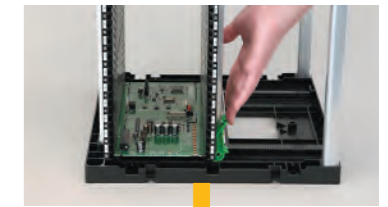
## Quick width adjustment in less than 5 seconds.



**Setting 1:**  
Place the PCB on the center of the base.



**Setting 2:**  
Slide the movable side towards the PCB until it cannot slide any further.



**Setting 3:**  
Lock all four levers and remove the PCB. The PCB will now insert smoothly into each rail with 1mm clearance

### Model Number Description Indicator

#### Super Nikko-Racks

□□-□□  
① ② ③ Options & Semi-custom  
Example : R25-L6-4C-15-K

①	N	Standard Card guide	
	R	Heat-registant	
	SR	Higher heat-registant	
②	25	Maximum PCB Adjustment width (cm)	
	33	Maximum PCB Adjustment width (cm)	
③	L4	Number of PCB Capacity 20pcs	*1
	L6	Number of PCB Capacity 30pcs	*1
	L8	Number of PCB Capacity 40pcs	*1
	4C	4 Guide Channel	*1
	15	Stopper bar 1pcs	*1
	25	Stopper bar 2pcs	*1
	K	Completed assembly	*1
	U	Unit	*1*2

Note: The L Size basically with 4 guide channels.

\*1 Also applies to Nikko-Rack.

\*2 Final assembly required by the customer for subassembly shipment.

#### Nikko-Racks

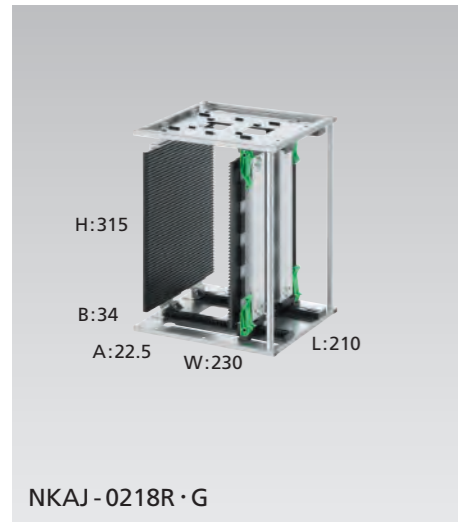
NK□□-□□□□□□  
① ② ③ ④ ⑤  
Example : NKAJ-0539R-34×41-L6-4C-15-K

①	AJ	Rack & Pinion type and Screw bolt width adjustment type
	LH	Screw bolt width adjustment type with metal base
②		Minimum PCB Adjustment width (cm)
③		Maximum PCB Adjustment width (cm)
④	N	Standard Card guide
	R	Heat-registant
	SR	Higher heat-registant
⑤	No description	Metal base
	2	Plastic base (Rack & Pinion type)
	3	Plastic base (Screw bolt width adjustment type)
	A×B	Reference position

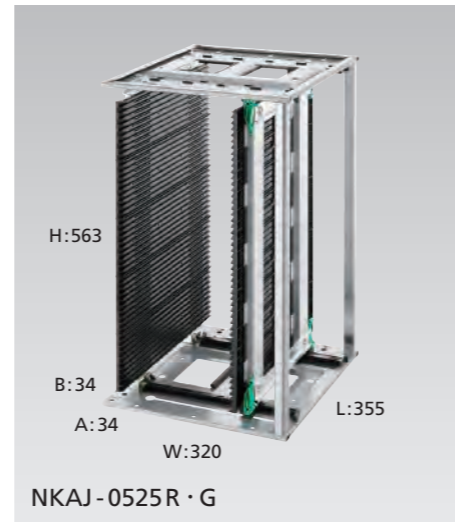
# The world top brand of Magazine Racks: Nikko-Rack™ series

Flexibly offering ideas and designs of custom products  
\*Please refer to page 9-10

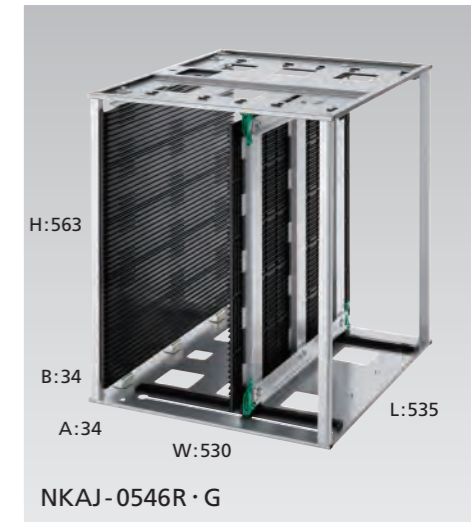
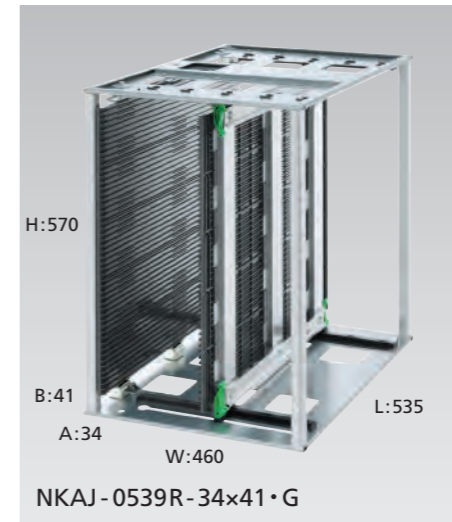
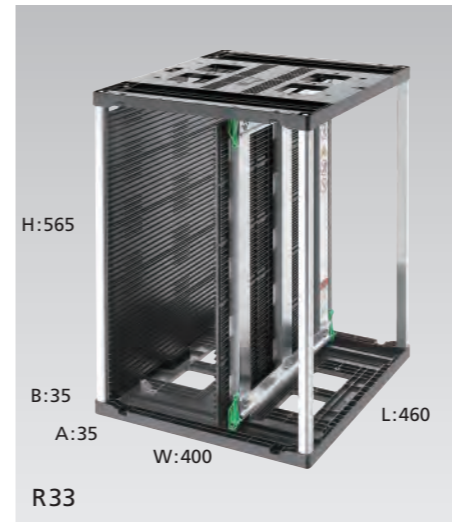
## S size



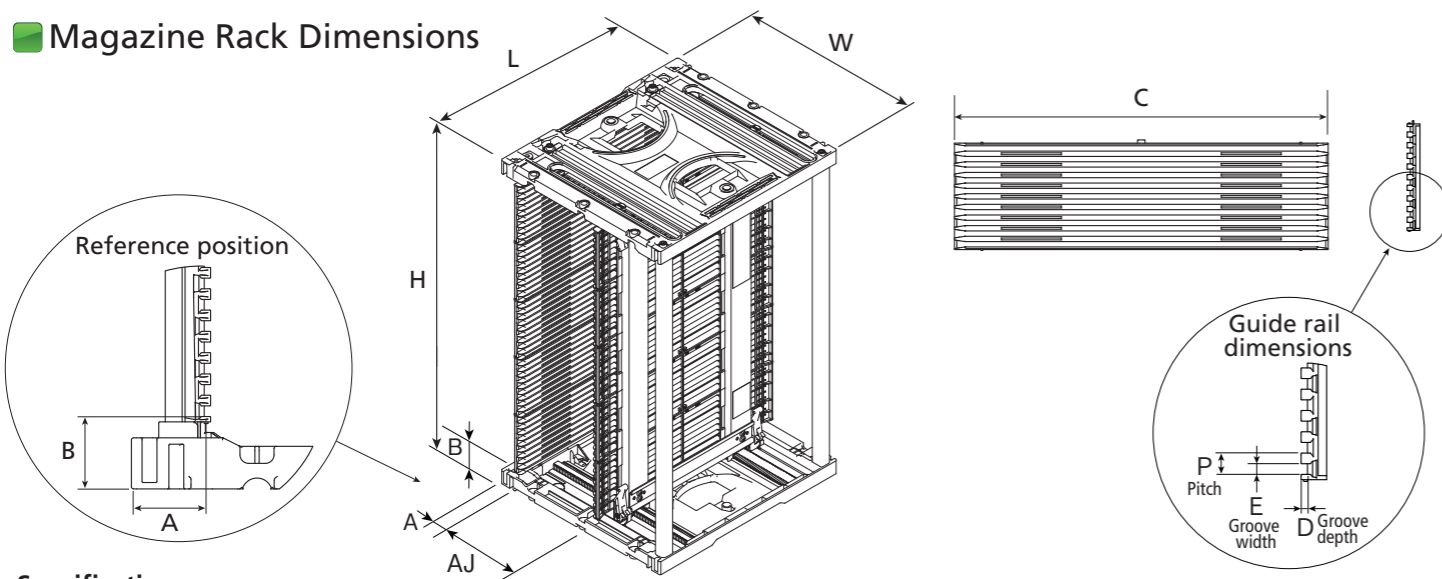
## M size



## L size



### Magazine Rack Dimensions

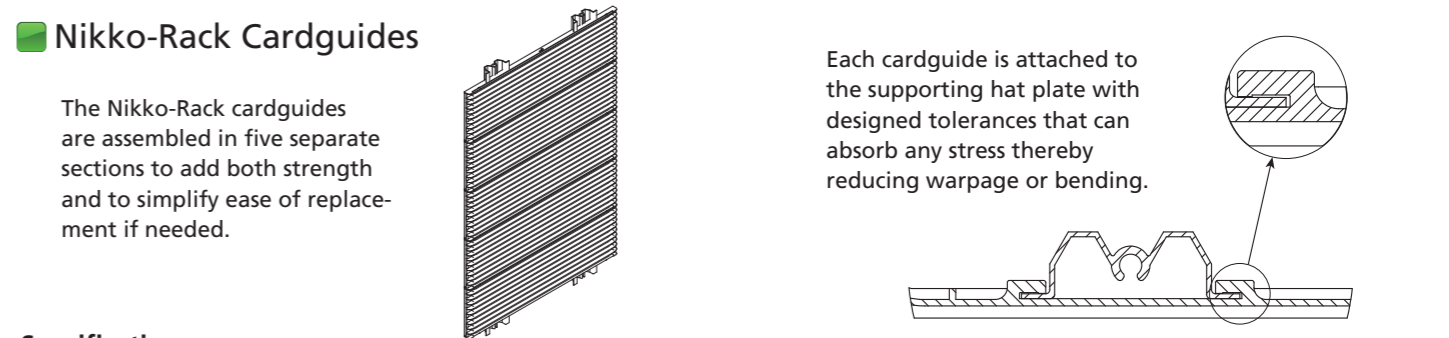


### Specifications

Model	Max Tolerant Temperature for the Cardguide (not to exceed)	Method for Width Adjustment	Outer Dimensions			Adjustable Width AJ	Reference Position		Guide Rail Dimension				Number of PCB Capacity	Weight (kg)	Base Material	Availability in Reverse	Stopper Bar (optional)
			L (length)	W (width)	H (height)		A	B	C	D	E	P					
★NKAJ-0211N · G	60°C	R&P	160	160	395	20 - 111	22.5	34	159	2.5	3.5	8	40	1.9	Metal	×	L=383
★NKAJ-0211R-AL · G	135°C	R&P	260	165	270	20 - 111	20	34	255	1.5	3	4	50	1.6	Metal	×	L=258
NKAJ-0218R · G	135°C	R&P	210	230	315	20 - 181	22	34	209	2	2.5	5	50	1.7	Metal	○	L=303
N25	60°C	R&P	355	320	563	50 - 254	34	34	351	3	5	10	50	3.9	Plastic	○	L=548
R25	135°C	R&P	355	320	563	50 - 254	34	34	351	3	5	10	50	3.9	Plastic	○	L=548
SR25	165°C	R&P	355	320	563	50 - 254	34	34	351	3	5	10	50	3.9	Plastic	○	L=548
★NKAJ-0525N · G	60°C	R&P	355	320	563	50 - 254	34	34	351	3	5	10	50	5.2	Metal	○	L=557
NKAJ-0525R · G	135°C	R&P	355	320	563	50 - 254	34	34	351	3	5	10	50	5.2	Metal	○	L=557
NKAJ-0525SR · G	165°C	R&P	355	320	563	50 - 254	34	34	351	3	5	10	50	5.2	Metal	○	L=557
NKAJ-0525N3 · G	60°C	Screw	355	320	563	50 - 254	34	34	351	3	5	10	50	3.8	Plastic	○	L=548
NKAJ-0525R3 · G	135°C	Screw	355	320	563	50 - 254	34	34	351	3	5	10	50	3.8	Plastic	○	L=548
NKAJ-0525SR3 · G	165°C	Screw	355	320	563	50 - 254	34	34	351	3	5	10	50	3.8	Plastic	○	L=548

★ These items are customized. \*For replacement parts information, please refer to the separate Nikko-Rack™ Replacement parts catalog  
\*Conductive resistance value of the Magazine Rack is  $1 \times 10^3 \leq R_x < 1 \times 10^4 \Omega$  (based on our measurement method). The conductive resistance value varies depending on the model. Please contact us for details.  
\*Recommended maximum width adjustment is -1mm from the "Adjustable width AJ". \*Method for width adjustment "R&P" is a magazine rack that can be adjusted width in parallel (one-touch adjustment).  
\*The "R&P" type has an AJ slope function that allows anyone to adjust the width in 5 seconds.  
\*The product will be shipped as a semi-assembly (final assembly required). Shipping of the completed assembly is an option.  
\*In the case of shipping as a semi-assembly, "-U" will be added to the end of the above model number, and in the case of shipping as a completed assembly, "-K" will be added.

### Nikko-Rack Cardguides



### Specifications

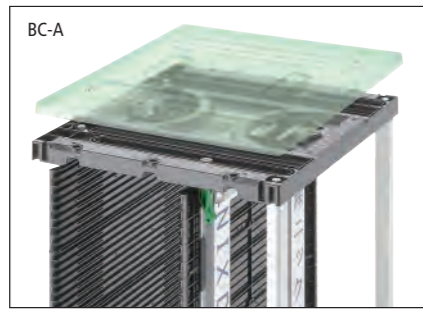
Model	Max Tolerant Temperature for the Cardguide (not to exceed)	Method for Width Adjustment	Outer Dimensions			Adjustable Width AJ	Reference Position		Guide Rail Dimension				Number of PCB Capacity	Weight (kg)	Base Material	Availability in Reverse	Stopper Bar (optional)
			L (length)	W (width)	H (height)		A	B	C	D	E	P					
NKAJ-0531R-34x41 · G	135°C	R&P	535	380	570	50 - 311	34	41	530	3	5	10	50	9.4	Metal	×	L=564
NKAJ-0531SR-34x41 · G	165°C	R&P	535	380	570	50 - 311	34	41	530	3	5	10	50	9.4	Metal	×	L=564
★NKAJ-0531RE1 · G	135°C	R&P	535	380	570	50 - 311	34	41	509	2.8	4	12.5	40	11.4	Metal	×	L=564
NKAJ-0531R-34x34 · G	135°C	R&P	535	380	563	50 - 311	34	34	530	3	5	10	50	9.4	Metal	○	L=557
NKAJ-0531SR-34x34 · G	165°C	R&P	535	380	563	50 - 311	34	34	530	3	5	10	50	9.4	Metal	○	L=557
R33	135°C	R&P	460	400	565	50 - 331	35	35	460	3	5	10	50	6.0	Plastic	○	L=550
NKAJ-0733R-35x35 · G	135°C	R&P	460	400	565	70 - 331	35	35	460	3	5	10	50	8.8	Metal	○	L=557
NKAJ-0733SR-35x35 · G	165°C	R&P	460	400	565	70 - 331	35	35	460	3	5	10	50	8.8	Metal	○	L=557
NKAJ-0733R-34x34 · G	135°C	R&P	460	400	563	70 - 331	34	34	460	3	5	10	50	8.8	Metal	○	L=557
NKAJ-0733SR-34x34 · G	165°C	R&P	460	400	563	70 - 331	34	34	460	3	5	10	50	8.8	Metal	○	L=557
NKAJ-0539R-34x41 · G	135°C	R&P	535	460	570	50 - 391	34	41	530	3	5	10	50	10.5	Metal	×	L=564
NKAJ-0539SR-34x41 · G	165°C	R&P	535	460	570	50 - 391	34	41	530	3	5	10	50	10.5	Metal	×	L=564
NKAJ-0539R-34x34 · G	135°C	R&P	535	460	563	50 - 391	34	34	530	3	5	10	50	10.5	Metal	○	L=557
NKAJ-0539SR-34x34 · G	165°C	R&P	535	460	563	50 - 391	34	34	530	3	5	10	50	10.5	Metal	○	L=557
NKAJ-0546R · G	135°C	R&P	535	530	563	50 - 461	34	34	530	3	5	10	50	12.3	Metal	○	L=557
NKAJ-0546SR · G	165°C	R&P	535	530	563	50 - 461	34	34	530	3	5	10	50	12.3	Metal	○	L=557
NKAJ-0525R-G400	135°C	R&P	400	320	563	50 - 254	34	34	397	3	5	10	50	6.8	Metal	○	L=557
NKAJ-0531R-G400	135°C	R&P	400	380	563	50 - 311	34	34	397	3	5	10	50	7.6	Metal	○	L=557
NKAJ-0733R-G400	135°C	R&P	400	400	563	70 - 331	34	34	397	3	5	10	50	7.8	Metal	○	L=557

★ These items are customized. \*For replacement parts information, please refer to the separate Nikko-Rack™ Replacement parts catalog  
\*Conductive resistance value of the Magazine Rack is  $1 \times 10^3 \leq R_x < 1 \times 10^4 \Omega$  (based on our measurement method). The conductive resistance value varies depending on the model. Please contact us for details.  
\*Recommended maximum width adjustment is -1mm from the "Adjustable width AJ". \*Method for width adjustment "R&P" is a magazine rack that can be adjusted width in parallel (one-touch adjustment).  
\*The "R&P" type has an AJ slope function that allows anyone to adjust the width in 5 seconds.  
\*The product will be shipped as a semi-assembly (final assembly required). Shipping of the completed assembly is an option.  
\*In the case of shipping as a semi-assembly, "-U" will be added to the end of the above model number, and in the case of shipping as a completed assembly, "-K" will be added.

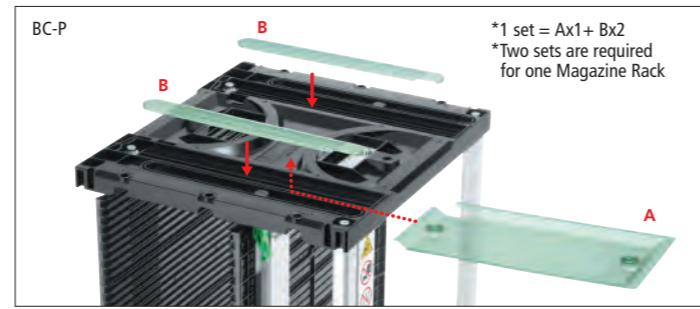
# Specialized products for every need we make.

## Optional items for Magazine Rack

### Base Cover

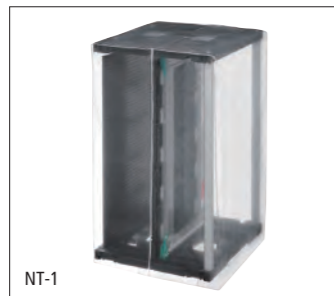


### Keep dust away from PCB in Magazine Rack.



Model	BC-A	BC-P
Specification	Full Surface Type	Hole Cover Type
Applicable Magazine Rack	M size Magazine Rack	N25, R25, SR25(refer to P.5 of this catalog)
Conductivity	Rx<1x10 <sup>9</sup> Ω (based on our measurement method)	
Features	Magazine Slip-prevention mechanism enables stacking (of two magazines.) *Stackable for N25, R25 & SR25.	Loader/unloader can be used with the base cover attached. (Be sure to check the present condition of the equipment being used.)

### Dust Cover



### Protect PCB and Magazine Rack from dust and ESD.

Model	NA-1	NT-1
Specification	Conductivity (2.7 x 10 <sup>6</sup> Ω)	Preventing electric charge (1.4 x 10 <sup>11</sup> Ω)
Applicable Magazine Rack	M size Magazine Rack	
Features	Open/close with a magic tape Using double-sided conductive sheet.	Made of ESD free material. This is a basic model.

\*These are measurement results only, not NIX guaranteed values.  
\*The magic tape of the NA-1 is not conductive.  
\*Dust cover NT-1 SPQ: 50 pcs

### Slot Stopper



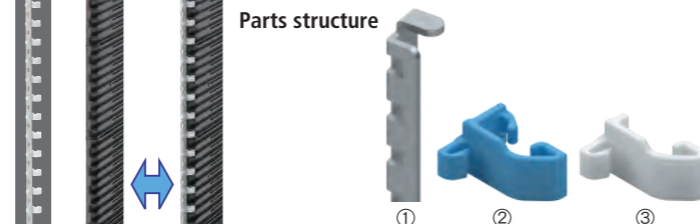
### Fill in unused slots to avoid wrong insertion of PCBs.

Model	SLS-M
Electrostatic properties	Antistatic(Rx<1x10 <sup>12</sup> Ω)
Applicable Magazine Rack (Rack using the card guide shown on the right)	G-351R, G-351SR G-530R, G-530SR G-460YLR-2, G-460YLSR-2(Note 1) (Please see page 1 of the Nikko-Rack™ Replacement parts catalog)
Features	Prevent charging even in white with unique coloring

Sales unit: 100 pcs/bag  
Note 1: Cannot be used with G-460YLR and G460-YLSR.

### Slot cover

### Easily attached or removed and prevent incorrect PCB slot insertions



Item name	Attaching rod	Stopper [with claw]	Stopper [without claw]
Model	SCB-500	SCS-CBL-A	SCS-NWH-A
Sales unit	1pc	10pcs/bag	50pcs/bag
Specification	-	Antistatic(Rx<1x10 <sup>12</sup> Ω)	

Compatible with NIX Racks	Standard Spec.	4C Spec.
R25 series	○	○
NKAJ-0525R series	○	△ (Cannot be installed on the Fixed side)
NKAJ-0525R3 series	○	△ (Cannot be installed on the Fixed side)

\*The above also applies to N and SR series.

## Customized Rack

### Dolly

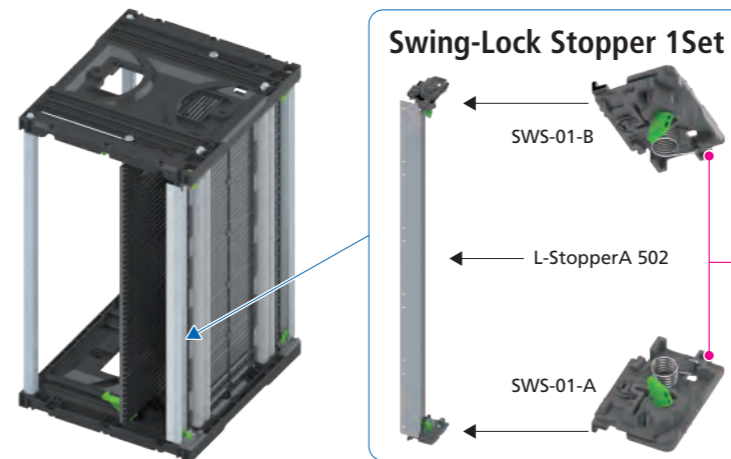


### Dolly for Magazine Racks. Large size is also available.



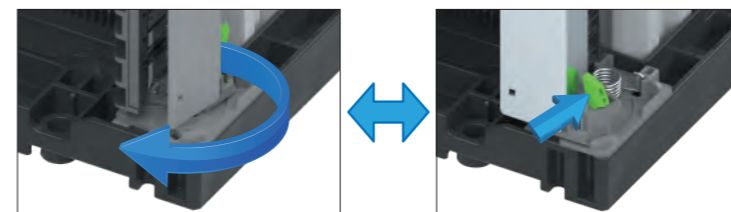
Model	DA-0525-1	DA-0525-2
Specification	For 1 rack	For 2 racks
Weight(Kg)	2.5	3.5
Applicable Magazine Rack	M size Magazine Rack(Base size320x355mm)	
Caster specifications	4 free-wheeling (no stopper), 2 wheels conductivity on short side	

### Swing-Lock Stopper

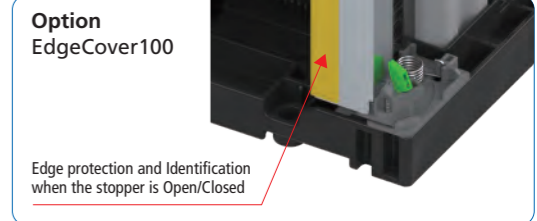


- ▶ Instead of a Spring Type Stopper Bar, with a new stopper could prevents PCB boards from falling and does not require removal, improve work efficiency.
- ▶ Comes with two Auto-Lock mechanisms (Top and Bottom) for safety
- ▶ Can be installed to current R25.
- ▶ If order the completd assembly Magazine Rack as a new one, Swing-Lock Stopper can be attached with the Magazine.

\*The picture shows the color gray, but the actual product is black.



Opened with Spring  
\*Turn the L-Stopper to close the stopper.  
Closed with Lock function  
\*Push the Top and Bottom levers at the same time to open the stopper.



Item name	Swing-Lock Stopper		Option
Product diagram	SWS-01-A	SWS-01-B	EdgeCover100-Yel, EdgeCover100-Blu
Model	SWS-01-A/B(with screws)		L-StopperA 502
Material	Antistatic POM		SUS
Applicable Magazine Rack	R25, N25, SR25(Except 4C, With Slot Stopper, With Slot Cover)		
Sales unit	2sets		2pcs
Remarks	* Swing Lock Stopper 1set consist of SWS-01-A/B(with screws) 1set and L-StopperA 502 1pc. * L-StopperA can be customized to accommodate Low Height Magazine Rack Please contact us for further information.		10pcs Length 100mm *5 pcs are available to attach for each Swing-Lock Stopper.

\*As this product is used repeatedly, parts may rub against each other and resin powder may be generated. In that case, please clean the product.

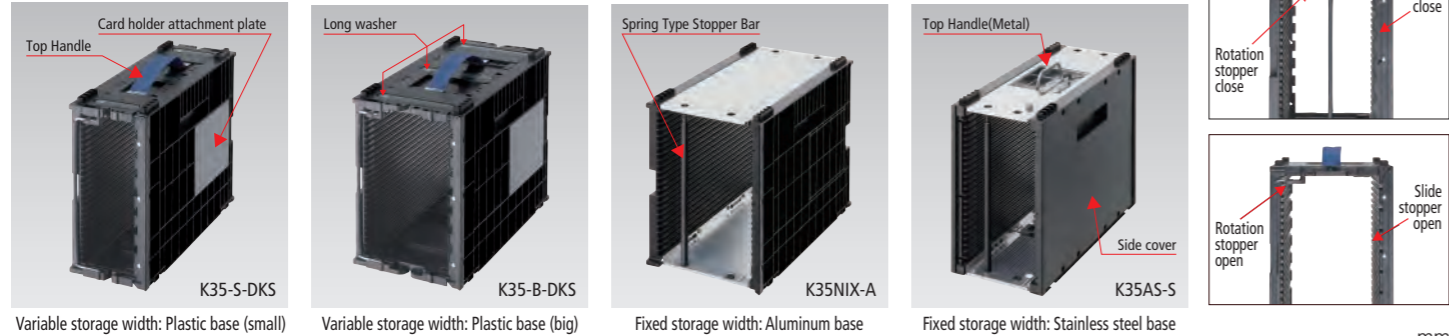
\*If this product is left in a high temperature environment (approximately 60°C) for a long period of time, such as during truck or container transport in the summer, white deposits may appear on the product surface, but this does not affect the performance of the product.

# Create new value for customer needs.

## Customized Rack

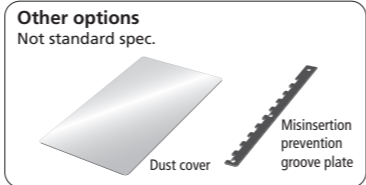
### Ko-Rack

Compact size rack most suitable for reducing inventory, customer seeking for saving space and high-mix low-volume lot production.



Model	Adjustable Width AJ	Width Adjustment	Outer Dimensions			Number of PCB Capacity	Option (○Standard spec.* can also do without it ▲Can be added ✕Cannot be installed)						
			L(length)	W(width)	H(height)		Slide stopper	Rotation stopper	Top Handle	Card holder attachment plate	Side cover	Spring Type Stopper Bar	
K35-S-DKS	91-145	Variable	355	128.5 - 182.5	278	P30×7pcs	○	○	○	○	○	✕	✕
K35-B-DKS	144.5-251	Variable	355	182 - 288.5	278	P30×7pcs	○	○	○	○	○	✕	▲
K35NIX-A	Specified width	Fixation	355	PCB Width + 38.5	278	P10×24pcs	✕	✕	▲	▲	✕	○ (2pcs)	
K35AS-S	Specified width	Fixation	355	PCB Width + 38.5	278	(Note)	✕	✕	○ (metal)	✕	○	○ (2pcs)	

\*The Guide Rail groove dimensions (depth×width) of K35AS-S are 3×3 mm. All other models are 3×5 mm.  
 \*The heat resistance temperature of Ko-Rack Guide Rails is 60°C or less.  
 \* Misinsertion prevention groove plate can be installed on the K35-S-DKS and K35-B-DKS, but in that case the slide stopper cannot be installed.  
 \*The Adjustable width AJ changes depending on the direction of the long washer for K35-S-DKS and K35-B-DKS. The long washer is in the original direction when shipped.  
 K35-S-DKS: Adjustable width AJ for original direction: 91~135.4mm For opposite direction: 100.6~145mm  
 K35-B-DKS: Adjustable width AJ for original direction: 144.5~241.4mm For opposite direction: 154.1~251mm  
 \*K35-S-DKS and K35-B-DKS can store P10×23 pcs if the Slide stopper is removed. Also, if the Rotation stopper is removed, P10 x 24 pcs can be stored.  
 \*Only the K35AS-S can be used with Dust covers on both sides in the PCB insertion direction.  
 Note: By attaching the Misinsertion prevention groove plate, P20, P30, and P40 (mm) are available.

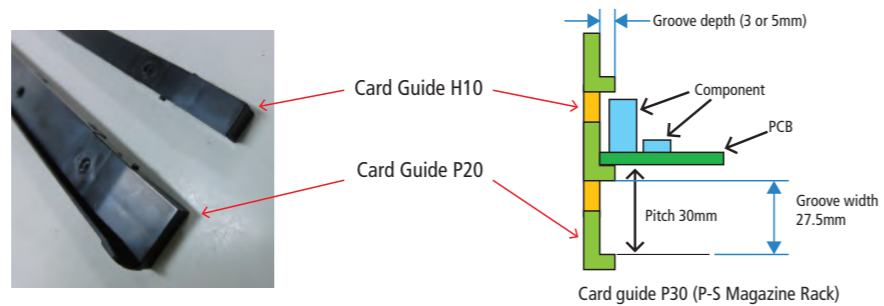


### P-S Magazine Rack

Optimal for storing thick PCBs! Pitch selectable Magazine Rack.



- ▶ PCB with components from end to end is storable
- ▶ Storable for PCB thickness 5mm or more (Groove width 17.5mm for P20)
- ▶ Pitch selectable with the combination a "Card Guide H10 and P20" (20, 30, 40, 50, 60mm)
- ▶ Can be installed on standard NIX products (M size, G400 series) (M size Card Guide Length 351mm, G400 Card Guide Length 397mm)
- ▶ Standard groove depth is 3mm (5mm is available as an option for M size).



Size	Model	Max Tolerant Temperature for the Card guide (not to exceed)	Method of Width Adjustment	Outer Dimensions			Adjustable Width AJ	Reference Position		Card guide length	Base Material
				L(length)	W(width)	H(height)		A	B		
M	R25-P□□-4C	135°C	R&P	355	320	563	50 - 254	34	34	351	Plastic
	NKAJ-0525R-P□□-4C · G	135°C	R&P	355	320	563	50 - 254	34	34	351	Metal
L	NKAJ-0525R-G400-P□□	135°C	R&P	400	320	563	50 - 254	34	34	397	Metal
	NKAJ-0531R-G400-P□□	135°C	R&P	400	380	563	50 - 311	34	34	397	Metal
	NKAJ-0733R-G400-P□□	135°C	R&P	400	400	563	70 - 331	34	34	397	Metal

\*□□ can be replaced with one of the following values to represent the pitch: 20, 30, 40, 50, or 60  
 \*For model R25-P□□-4C and NKAJ-0525R-P□□-4C · G with a groove depth of 5 mm, D5 is inserted between P□□-4C. Example: R25-P□□-D5-4C

## Customized Rack

### Low Height Magazine Rack



Low height Magazine rack most suitable for inventory reduction and space saving

- ▶ Most suitable for high-mix low-volume lot
- ▶ Since the height of cardguide is 100mm, Magazine height can be specified by 100mm increment.
- ▶ Light weight
- ▶ It is also possible to create low height magazines for the N25 and SR25.

Model	Outer Dimensions			Number of PCB Capacity	Stopper Bar (optional)
	L(length)	W(width)	H(height)		
R25-L2	355	320	163	10	L=148
R25-L4	355	320	263	20	L=248
R25-L6	355	320	363	30	L=348
R25-L8	355	320	463	40	L=448

•Storage pitch: 10 mm •Adjustable width AJ: 50 to 254 mm

### Heat-Resistant Rack



Applicable to climate bath by being made with metal only.

- ▶ Gap between guide rails for excellent ventilation
- ▶ Exterior dimension and reference position are identical to M size  
 \*The height is 1mm lower than the M size.
- ▶ Available to customize for different size PCBs and the storage capacity  
 Optional: Stopper Bar

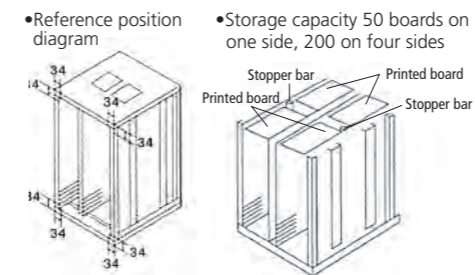
Model	Adjustable Width AJ	Outer Dimensions			Number of PCB Capacity	Weight(kg)
		L(length)	W(width)	H(height)		
NKLH-0525AL	50-254	355	320	562	50	7.3
NKLH-0525SU	50-254	355	320	562	50	9.3

•Guide rail material: AL(aluminum), SU(stainless)

### Smart Storage Rack



Available to stow 200 boards in M size rack



Model	Guide Rail (endurance temperature)	Outer Dimensions			Adjustable Width AJ
		L(length)	W(width)	H(height)	
NKAJ-0310N3-WG	60°C or less	355	320	563	30 - 101
NKAJ-0310R3-WG	135°C or less	355	320	563	30 - 101
NKAJ-0310SR3-WG	165°C or less	355	320	563	30 - 101

### Example of development of Customized Rack

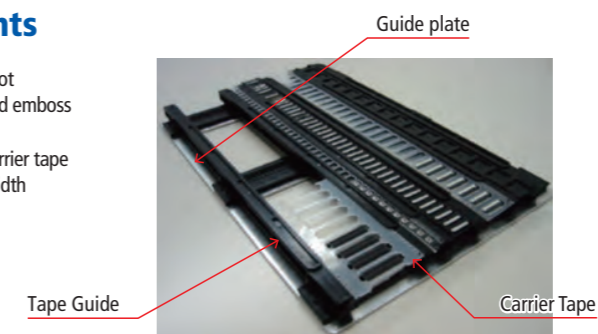
We can flexibly respond to your special needs!

- Large:** Large Custom Rack for 610 x 610 mm PCBs
- Long:** Long rack for PCBs with length of over 1,000 mm
- High heat resistance:** Underfill, sidefill High Heat Resistance Rack
- Transport:** Custom Rack for fixing PCBs for transport and mitigating shock
- Wear resistance:** Wear resistant Card guide (non-heat-resistant, non-conductive) Rack

### Carrier Tape Tray

Enables mounting of small lots of components

- ▶ This tray is ideal for prototype and small-lot production of small lots of carrier tape and emboss tape.
- ▶ Designed to handle different widths of carrier tape and emboss tape. Equipped with quick width adjustment mechanism.



### Specifications

Model	NCAJ-SP
Outer Dimensions	W230×L335×H20mm
Tape Guide	5pcs
Component Height	Maximum 10mm
Sales unit	5pcs

\*Note  
 If you would like to put more than 5 carrier tapes on one Carrier Tape Tray, you will need to add extra tape guides.

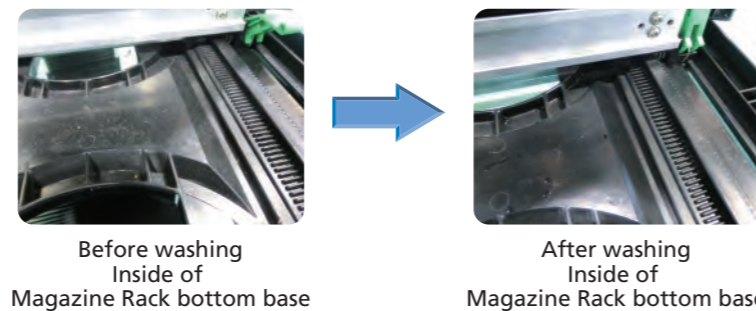
# Perfect for removing contamination in Magazine Racks and printed circuit boards.

## Magazine Washer



Powerful cleaning with Micro Bubble remove dust and debris attached Magazine Racks. Protecting quality of printed board by clean Magazine Rack. In addition, contributing to reduction of contamination in the entire plant.

- Micro bubble
- Dust removal
- Compact size
- Layout free



### [Example of Contamination]

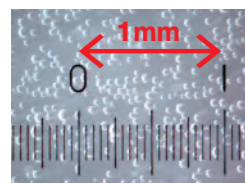
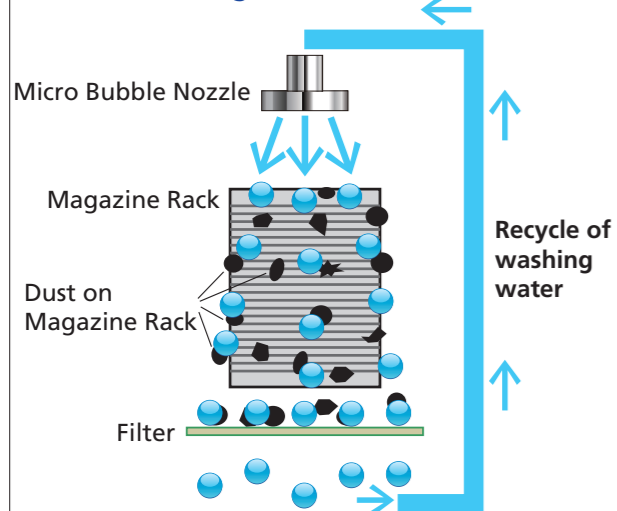
Dust collected from the filter that washed 240 Magazine Racks (80 x 3 days)



### Device specification

Object Magazine Rack	M size Magazine Rack	Weight limit (8 kg or less)/ Balance limit (width 100 mm or more) is applied
Tact time	2 to 10 minutes/unit (our recommended setting is 6 minutes/unit) Depending on setting time for washing/water removal/drying	
Cleaning solution	Pure water or Tap water (100 L) + NIX water A (approximately 150 ml) & B (approximately 250 ml) NIX water is an additive for improving anticorrosion and water removal property. For use overseas, please contact us regarding the use of tap water.	
Consumables	(i) Filter (1st, 2nd, 3rd) First and second stage filters are to be replaced monthly. The third stage filter replacement is to be judged by actual use considered. (ii) Washing water (replace monthly)	
Option	Magazine Rack Management System	

### Structure of Magazine Washer



What is micro bubble?  
Super fine bubble with size of 50 micron(0.05mm) is called as a micro bubble.  
\*A single scale represents 50 micro

### Basic specification

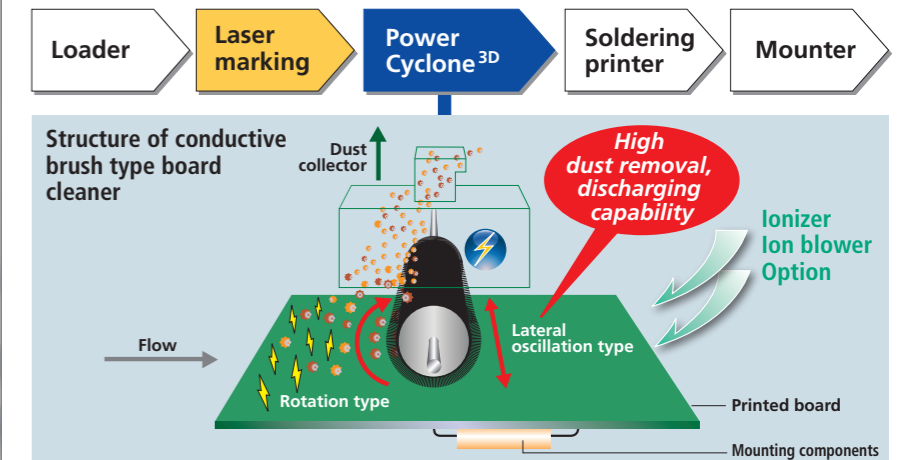
Item Name	Magazine Washer
Model	MW-MB
Cleaning Specification	Micro bubble + shower washing
Outer Dimensions	800(W) x 1600(L) x 1500(H) mm
Weight	Approx.750 kg(including washing water 100kg)
Rack Loading Height	Approx.1000mm
Power Supply/Electric Capacity	3-phase AC200V 50Hz/60Hz, 40A(Max.)
Paint Color	NIX standard color [Munsell 7.2Y9.4/0.8(gross):white-cream]

## Printed Board Cleaner

### MAGIC CLEANER<sup>3D</sup>



Unique technology ensures high performance in the removal of contamination. Power Cyclone 3D with lateral oscillation and conductive brush provide strong support for customers seeking high quality.

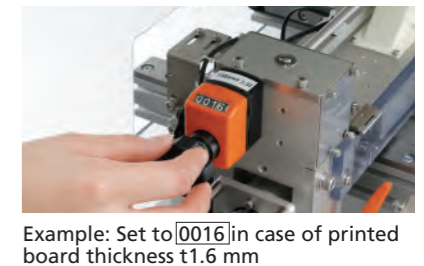


- Upper brush type(standard), double side brush type(optional)
  - Static electricity removal (without ionizer, based on NIX test)\*
  - Most suitable for dust removal of laser masking
  - Removing contaminants of 5μm(based on NIX test)\*
  - Maintenance free(requiring periodical cleaning) Low running cost
- \*NIX measurement results only, not NIX guaranteed value.

### Easy brush replacement

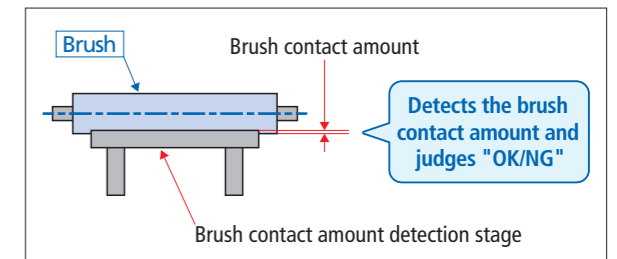


### Easy brush height adjustment



### New function option "Brush contact amount detection function"

- ① Detects the brush contact amount and displays an "NG" judgment if the brush is not contacting properly.
- ② Eliminates cleaning problems caused by brush wear or setting errors.
- ③ A stage for setting the brush contact amount threshold is provided, allowing you to set the brush contact amount regardless of the surface area or surface condition of the board.



## Specification

### Basic specification

Item Name	Power Cyclone 3D
Model	M3DM-IN
Cleaning Specification	Upper surface cleaning of printed board with conductive brush
Outer Dimensions	815(L) x 350(W) x 1387(H) mm *conveyor length 370mm
Weight	Approx. 90 kg
Transportation Height	900 ± 20mm
Mounted Components Height	No component on printed board surface, back surface, MAX 25mm
Power Supply/Electric Capacity	Capacity AC100V 50Hz/60Hz, 200VA
Paint Color	NIX standard color Munsell 7.2Y9.4/0.8(gross):white-cream

### System specification

Direction of Flow	Right → left/Left → right
Criterion	Front reference / back reference
Printed Board Size	M size (50 x 50 to 250 x 330 mm)
Interface	Molex 4-pin connector (1490R-P1) SMEMA etc.
Conductive Brush Height Adjustment	Manual up/down traverse type
Operation Panel	Power supply SW, touch panel, pressure sensor, buzzer, EMG stop
Breaker	Install inside main body

### Option

L size compatible (Max width 460mm)
Double-sided cleaner
Automatic brush height adjustment (Brush contact amount detection function)
Ionizer
Ion Blow
Dust collector
Signal Tower
Automatic conveyor width adjustment
Variable conveyor speed
Conveyor length change
Substrate support mechanism (automatic/manual)
Overseas power supply specifications (specify other than 100V)
Installation and adjustment

\*Other customizations are also available.

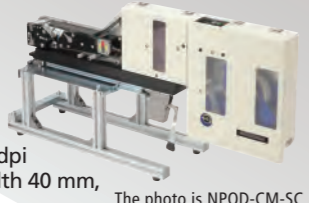
# Traceability solutions with NIX's unique products and systems.

## Label Feeder for Mounter



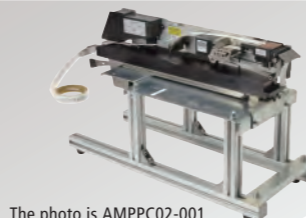
Reducing process time and labor cost by changing label manual attaching to automated attaching. Label can be attached automatically using existing moulder. High speed/high accuracy attaching is available with moulder function. Advantage of less expensive/space saving comparing to dedicated label attaching system. Label feeder consists of two types of NPOD series (with printing feature) and AMP series (without printing feature)

### Feeder with printing function NPOD series



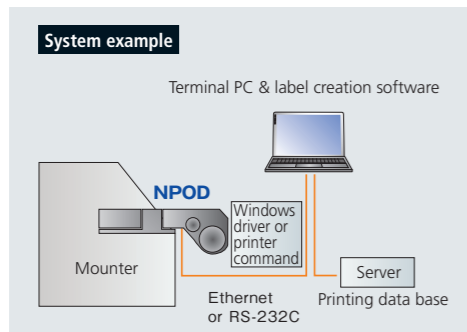
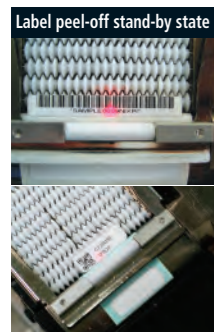
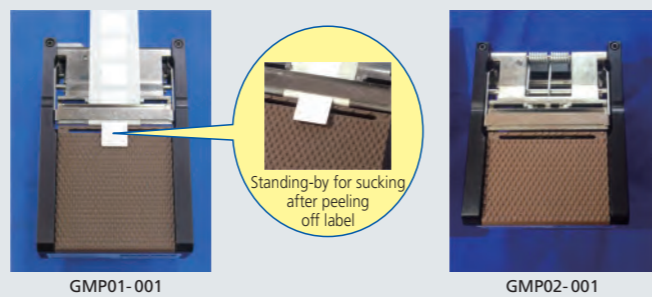
- [Printer specification]**
- Model : NPOD
  - Printing Type : thermal transfer 600 dpi
  - Maximum Printing Range : Max. width 40 mm, Max. height 30 mm
  - Communication I/F : Selectable either Ethernet or RS-232C
  - WindowsXP, Vista, 7, 8, 8.1, 10(32·64bit) with printer driver
  - With printer built-in command and front (available to create custom software)
  - With external input/output connector (DSUB-15 pin)
- The photo is NPOD-CM-SC
- [Label & ribbon specification]**
- Label Shape Type : punch shape horizontal single face label (N/A for continuous forms)
  - Label Size: Width 6 to 37mm, length 4 to 30mm
  - \*Please contact us for widths of 6mm or less.
  - Label Base Sheet Width: 15 to 42mm
  - \*Parts may need to be replaced when changing the base sheet width.
  - Label Roll Size: Max. outer diameter 180mm core inner diameter 76.2 mm
  - Applicable Label : NIX STATINIX™ Series
  - Applicable Ribbon: DK620-040, NEPA-106-040

### Feeder without printing function AMP series



- The photo is AMPPC02-001
- [Specification]**
- Model : AMP
  - Label Shape : Punch shape horizontal single face or multiple column (N/A for continuous forms)
  - Label Size : Width 3 to 38 mm, length 3 to 50 mm
  - \*Depending on moulder model and sheet left/right margin
  - Label Feed Rate : Selectable from 30, 53, 95 mm/sec
  - Label Peel-off Unit : Requiring GMP module 1/AMP 1
  - \*GMP module consists of two types
  - Power Supply : In use with direct connector connection from moulder
  - \*Separate power supply is required depending on model of moulder
- Please contact us for detail

### Detachable GMP label peel-off module Easily adjustable for various label size



Moulder Manufacturers	Moulder Model Name	Label Feeder Model Name with Printing Function	Label Feeder Model Name without Printing Function	GMP Module Compatible		
				GMP01-001 *Note 1	GMP02-001 *Note 2	LMG *Note 3
JUKI	KE700/1000/2000/3000(mechanical feeder model)	-	AMPJ01-001	△	○	○
	FX series, KE3000(electrical feeder model)	-	AMPJF01-001	△	○	○
Fuji Machine MFG	NXT·AIMEX Series, XPF, AIM	-	AMPFN02-001	△	○	○
	NXT·AIMEX Series, XPF, AIM	NPOD-NXT-SC	AMPFN02-002 *With reel holder	△	○	○
	QP2, QP3, XP	NPOD-F-SC	AMPF01-001	×	○	○
Yamaha	IP	-	AMPF01-001	×	×	○
	YV100, XG100, YG100/88	-	AMPY01-001	×	○	○
	YS12, YS12F, YS24X, YS88, YS100, YSM-40	-	AMPYS01-001	×	○	○
Panasonic	CM402, 602, 212, 101, DT401, AM100, NPM	-	AMPPC02-001	×	○	○
	CM402, 602, 212, 101, DT401, AM100, NPM	NPOD-CM-SC	AMPPC02-002 *With reel holder	×	○	○
	MPAV2, MPAG3, MSF, MCF, BM	-	AMPP02-001	×	○	○

\*Note 1. Applicable label size for GMP01-001: Label base sheet width 3 to 42 mm, label length 3 to 50 mm (24 to 44 mm for AMPPC02-001) \*Note 2. Applicable label size for GMP02-001: Label base sheet width 3 to 42 mm, label length 3 to 35 mm (3 to 14 mm for AMPPC02-001) \*Note 3. LMG is custom module for size to which GMP01 or 02 is not compatible. △: Please contact us for detail.

## Dedicated model for real time printing label attaching

Dedicated model for label attaching capable of traceability from the top of mounting line (custom specification).

Attaching position can be changed by either one of two types, manual type/automated type.

\*Loader and unloader before and after label attaching system are available.

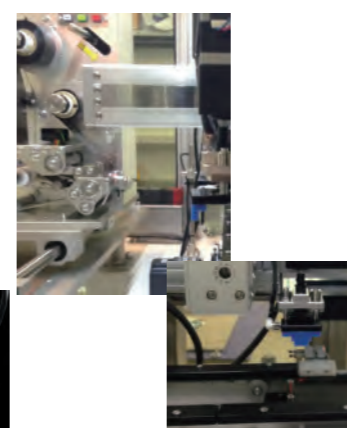
- Thermal transfer printer ; 300 or 600dpi mounted
- Available to attach after verifying legibility after printing (LM type verifies after attaching)
- Compact/space saving with 2 inches head mounted
- Two types of auto setting/manual setting for attaching position
- Attaching angle is settable in every 90 degrees
- Minimum height of label is 4 mm or more
- Custom specification available

### LM series



Attaching position XY manual

### L series



Attaching position XY auto

### Specifications

Model	TPR-612LM	TPR-612L	TPR-624LM	TPR-624L
Printing Resolution	300dpi	300dpi	600dpi	600dpi
Maximum Printing Width	53.33mm	53.33mm	58mm	58mm
Base Sheet Width	20 - 65mm			
Minimum Label Height	4mm or more			
Ribbon Width	30 - 64mm			
Communication I/F	RS-232C			
Bar Code Reader for Verification	Keyence SR-510 *Other readers are compatible			
Built-in Character	JIS level-1 kanji set, level-2 kanji set, ANK character, etc			
Built-in Bar Code	2-dimension QR, micro QR, PDF417, micro PDF417, DataMatrix (ECC200)			
Bar Code	1-dimension Code39, JAN, UPC, NW7, ITF, Code128, EAN128 (GS1-128)			
Attaching Position	XY manual	XY auto	XY manual	XY auto
Attaching Angle	Fix	Every 90 degrees auto	Fix	Every 90 degrees auto
Attaching Position Specifying Registration Method	-	PC or touch panel	-	PC or touch panel

\*Including two types of in-line and batch

\*Printing and control software will be a custom application based on agreement

## Printers, label drawing software

### High Performance Printer BBP16M



#### Main specifications

Model	BBP16M	BBP16M (with cutter)	BBP16M (with peel)
Print Resolution	600 dpi	600 dpi	600 dpi
Print Head Width	104 mm	104 mm	104 mm
Base Sheet Width	15 - 114 mm	15 - 114 mm	15 - 114 mm
Label Length	5 - 2,540 mm	25.4 - 1,016 mm	25.4 - 152.4 mm
Gap Length between Labels	Min. 2 mm	Min. 2 mm	Min. 2 mm

- High performance fine printing is available with 600 dpi printing head mounted
- Minimum height of label is 5 mm or more
- Label drawing software CODESOFT compatible
- Easy generation of 2-dimensional code such as QR code
- With Windows Vista, Windows7,8,8.1,10,11 compatible printer drivers



CODESOFT

### Low cost, Compact Printer BBP12



#### Main specifications

Model	BBP12
Print Resolution	300dpi
Max. Base Sheet Width	118mm
Max. Print Width	105.6mm
Min. Label Length	10mm(Please contact us for less than it)
Max. Label Outer Diameter	127mm(203.2mm when using external holder)

- Low cost and compact thermal transfer printer.
- Available to carry-on with light weight (2.3kg)
- 300 dpi printing head mounted
- With Windows Vista, Windows7,8,8.1,10,11 compatible printer drivers



CODESOFT

## Label for thermal transfer printer

### Heat-resistant proof polyimide label (before re-flow)



Static charge countermeasure polyimide label "STATINIX" NIX original labels are most suitable for automated attaching with label feeder cassette. Various types of polyimide label are available to recommend in accordance with application.

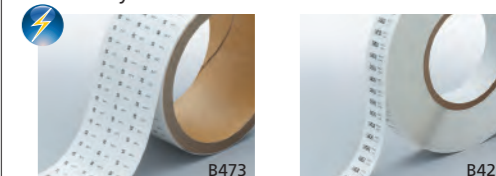
### Heat endurance test



Polyimide STATINIX  
Top: Pre-reflow  
Bottom: Post-reflow; No change

### Non heat-resistant proof label (post reflow)

Labels are most suitable for attaching after reflow. Labels in accordance with application are available to recommend such as static electricity countermeasure label.



Base Material Type Code	Applicable Temperature (30 days)	Label Total Thickness	ESD Protection
B473	-40°C - 120°C	0.087 mm	with
B423	-70°C - 110°C	0.076 mm	without
B459	-40°C - 100°C	0.079 mm	without

Base Material Type Code	Color	Applicable Temperature (5 minutes)	Label Total Thickness	ESD Protection
★STATINIX	Matte white	-70°C - 260°C	0.094 mm	with
★STATINIX3	Matte white	-70°C - 260°C	0.091 mm	without
B416A	Gloss white	-70°C - 230°C *	0.076 mm	without
B729	Matte white	-70°C - 260°C	0.086 mm	without
B724	Matte amber	-70°C - 280°C	0.111 mm	without

\*Applicable temperatures will be up to 270°C in the case of 80 seconds.

★ is a label compatible with the label feeder